

DSG-NPS R&D Meeting Minutes

Date: September 05, 2023

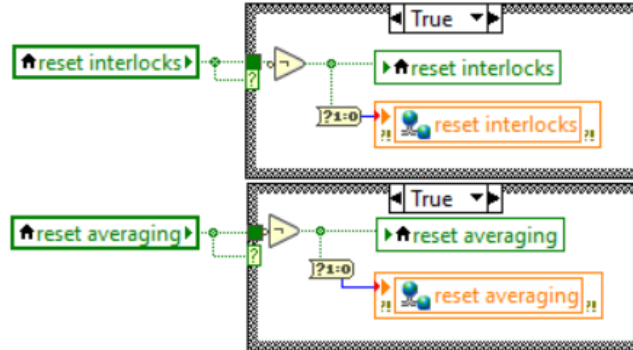
Time: 02:00 PM – 03:00 PM

Attendees: Mary Ann Antonioli, Peter Bonneau, Aaron Brown, Pablo Campero, Brian Eng, Mindy Leffel, Tyler Lemon, Marc McMullen, and Amrit Yegneswaran

1. Debugging thermal readback and chiller controls

Mary Ann Antonioli, Aaron Brown, and Brian Eng

1. Clean up work by Mary Ann continues
 - Finished all breakouts and builds, now on to deleting unused variables and subVIs
 - Need to generate some testing documentation
 - After testing, Simona Malace will complete system checkout in hall
2. Changed the way the reset averaging and reset interlocks buttons work
 - Still need to change the datatype for these two PVs in the softIOC



Screenshot of LabVIEW code for the reset interlocks and reset averaging buttons

2. Hardware

1. Tripp-Lite Power Distribution Unit (PDUMH15NET2LX) IP address assigned by computer center – Hall C development subnet for testing in EEL building
2. Humidity sensor power supply box complete



Completed humidity sensor power supply box

3. Detector installation/checkout

1. Encountered some bad HV channels – Simona Malace and Ben Raydo are removing the capacitors from problem channels (which seems to resolve the problem)
 - Will not open front of detector to check thermocouple connections and install humidity sensors until high voltage work is completed